



Tank Washing Machines

globally focused on cleaner solutions

Tank Washing is a vital part of a ship's operations and it is essential that the equipment onboard is robust, reliable and fit for purpose. Developing and manufacturing Tank Washing Equipment for over 60 years, Victor Marine has a wealth of knowledge and experience in providing tank cleaning solutions suitable for VLCCs to smaller product tankers and chemical carriers.

Victor Marine offers a range of portable and fixed tank cleaning machines with various styles of down tubes and hoses available. All machines are made in stainless steel to ensure durability and longevity. The internal gears and components are manufactured with high quality materials that ensure low wear and can operate under high pressures and a wide range of temperatures.

Key Features

- Wash pattern is of orbital progressive intensity to meet IMO Annex II pre wash requirement standard
- Nozzle sizes from 7 mm to 18 mm
- Offered with either 'sealed for life' or media lubricated drive to ensure no cargo contamination
- Automatic 'slip-clutch' to prevent accidental damage in use
- Simple to service with the use of high performance long life gears
- Alternative flange (up to 180mm Diameter) and fixings available
- Fully Type Approved by Class Societies Worldwide



Designed,
Assembled &
Tested in
the UK

Type Approvals by:





Mounted Tank Washing Machine



Fixed Stainless Steel VP Minor



Tank Washing Machine, Hose and Hose Saddle



Design Service

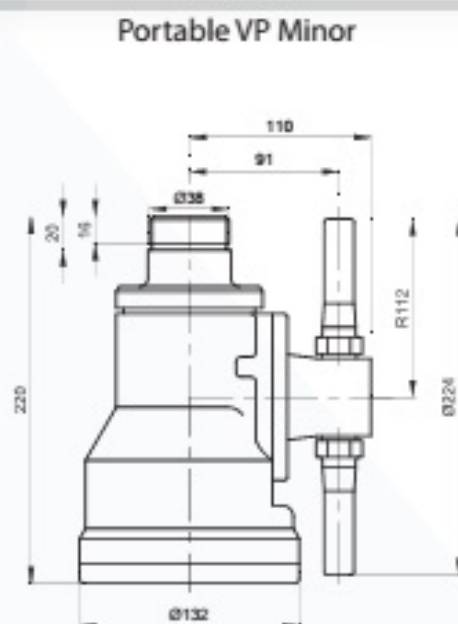
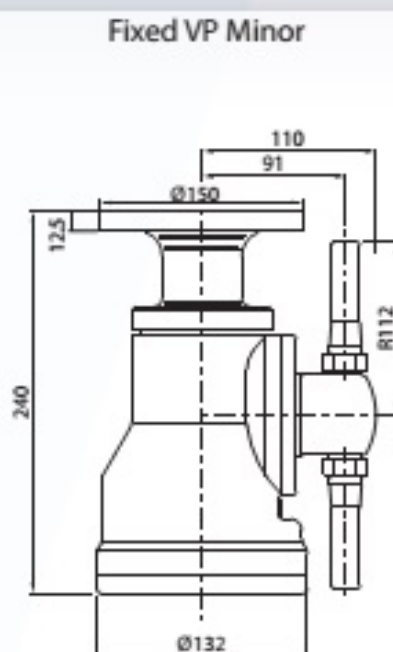
Victor Marine can design the ideal system by carrying out a Shadow Diagram Study which will confirm the number, position and type of machine, enabling us to provide the optimum tank cleaning solution.



Stainless Steel VP Minor

The VP Minor is a pre-programmed twin nozzle tank washing machine manufactured from 316 stainless steel. This unit is suitable for use on both small and medium crude oil, chemical and product tankers and can be supplied as either fixed or portable units.

The VP Minor is also available as a mud machine specifically designed for mud tank cleaning.



Wash Pattern

Pre-programmable Rotary 360°

Jet Length

Maximum
Typical

14.6 mtrs (78 ft)
9-14 mtrs (30-46 ft)

Operating Pressure

Maximum
Typical

12 kg/cm² (190 psi)
5-10 kg/cm² (72-145 psi)

Flow Capacity

Minimum
Maximum

7 m³/hr (35 US gal/min)
19 m³/hr (84 US gal/min)

Wash Cycle

Time:
Typical
Type:

Variable on supply pressure (see table below)
Between 16-30 mins
4 cycles for complete wash

Maximum Operating Temperature

95°C (203°F)

Installation

Min deck opening
Fixed Flanged

Ø 200mm (8.0 inches)
Std DIN 40 NP10
(Ø 150mm with 4x14mm holes on a 110 PCD)

Portable

Weight

Fixed Flanged
Portable

10.2 kgs (22.5 lbs)
8.2 kgs (18.1 lbs)

Supply Pressure (kg/cm²)

VP Minor Nozzle Diameter

2x7mm

2x8mm

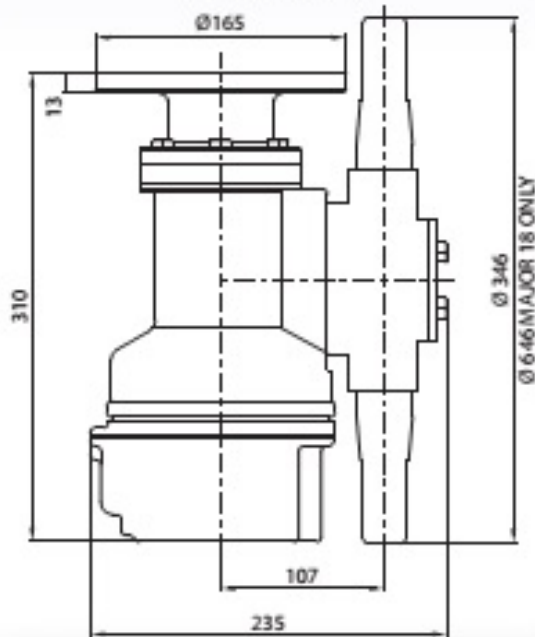
2x9mm

2x10mm

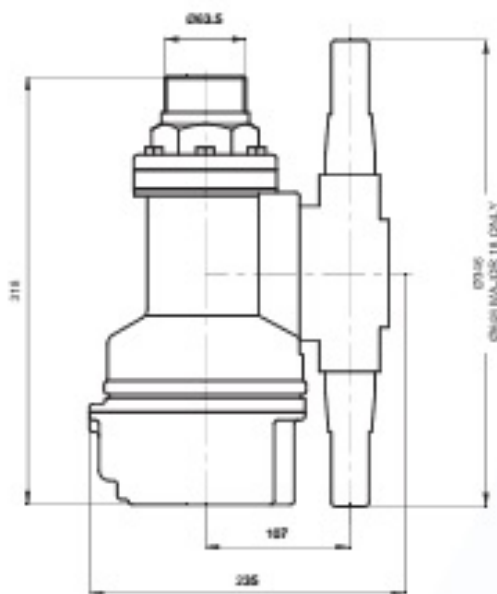
2x11mm

Supply Pressure (kg/cm ²)	2x7mm		2x8mm			2x9mm			2x10mm			2x11mm			
	Flow m ³ /hr	Jet Length	Cycle Time	Flow m ³ /hr	Jet Length	Cycle Time	Flow m ³ /hr	Jet Length	Cycle Time	Flow m ³ /hr	Jet Length	Cycle Time	Flow m ³ /hr	Jet Length	Cycle Time
6	7.3	9.6	27	10	10	26	10.4	10.6	27	13	11.6	26	15	12.6	24
8	8	10.3	21	11.3	10.8	20	11.6	11.3	23	14.2	12.4	22	16.2	13.3	20
10	8.5	11	18.5	12.2	11.5	18	12.6	12	19	16	13	20	17.7	14	18
12	9.2	11.6	18	13	12.1	17	13.75	12.6	16	17.6	13.5	18	19.3	14.6	17

Fixed VP Major



Portable VP Major



Stainless Steel VP Major

The VP Major is a pre-programmed twin nozzle tank washing machine manufactured from 316 stainless steel. This unit is suitable for use on both medium and large crude oil, chemical and product tankers and can be supplied as either fixed or portable units.

Pre-programmable Rotary 360°	Wash Pattern
38 mtrs (123 ft) 20-35 mtrs (66-115 ft)	Jet Length Maximum Typical
12 kg/cm ² (190 psi) 5-10 kg/cm ² (72-145 psi)	Operating Pressure Maximum Typical
23 m ³ /hr (101 US gal/min) 65 m ³ /hr (286 US gal/min)	Flow Capacity Minimum Maximum
Variable supply pressure (see table below) Between 34-50 mins 4 cycles for complete wash	Wash Cycle Time Typical Type
95°C (203°F)	Maximum Operating Temperature
Ø 245mm (9.6 inches) Std DIN 50 NP16 (Ø 165mm with 4x18mm holes on a 125 PCD) 2½" ANSI Male thread	Installation Min deck opening Fixed flange Portable
21 kgs (46 lbs) 19.5 kgs (43 lbs)	Weight Fixed flanged Portable

VP Major Nozzle Diameter												Supply Pressure (kg/cm ²)
2x12mm			2x14mm			2x16mm			2x18mm (Fixed Only)			
Flow m ³ /hr	Jet Length	Cycle Time	Flow m ³ /hr	Jet Length	Cycle Time	Flow m ³ /hr	Jet Length	Cycle Time	Flow m ³ /hr	Jet Length	Cycle Time	
												6
32	15	39	42	17	43	50	18	42	57	19	49	8
35	17	36	45	19	39	55	20	39	64	21	46	10
40	19	34	51	21	37	61	22	37	70	23	44	12

Tank Washing Ancillaries

Tank Washing Hose (Black, VP Logo)

Neoprene with styrene butadiene rubber (SBR) liner reinforcement with multiple rayon braids.

Electrical continuity is ensured by twin braided Stainless Steel wires. All hoses are fully tested prior to despatch.

Available in 38mm and 50mm nominal bore and a maximum length of 50 metres.



Connections and Spanners

We stock an extensive range of hose connections, hose couplings, hose spanners and deck valve adapters, mostly with BSP threads. Hose spanners are manufactured from a non-sparking alloy for complete safety. Rigid tank wash hose is made from rubber (SBR) with two AISI 316 integral earth wires for complete safety. These hoses are available in 38mm and 50mm and can be cut to suit vessel requirements and are also fully factory tested for earth continuity.



Hose Saddle

For easy handling and longevity of tank cleaning hoses, this lightweight, epoxy coated aluminium alloy hose saddle comprises of a saddle, deck plate, hose guide and positioning clamp.

Optionally, there is a choice of base plate sizes and materials - standard size 318mm.

Weight: 7kg



Hose Reel

Designed as a complete tank washing station. Galvanised steel frame for strength, accepts 33mm of 50mm rubber tank washing hose, complete with hose roller and brake. Fitted with bronze deck cover (height adjustable) and wheels for total manoeuvrability. For safety, the units is supplied with an automatic vacuum relief valve, full earth wire connection and safety ratchet.



VP Watergun

A powerful water gun with effective jet lengths of up to 25m with a low recoil for rapid cleaning of decks and bulk cargo holds. Supplied complete with a tripod stand, the lightweight design is ideal for one-man operation.



Victor Marine Ltd,
Eurocourt,
Cosgrove Road,
West Thurrock, Essex,
United Kingdom,
RM20 3EE

The manufacturers reserve the right to alter the specification and data to incorporate improvements in design.
© Copyright Victor Marine, Sept 2013

Tel +44 (0) 1708 899 780
Fax +44 (0) 1708 890 599
Web www.victormarine.com
Email info@victormarine.com
sales@victormarine.com

